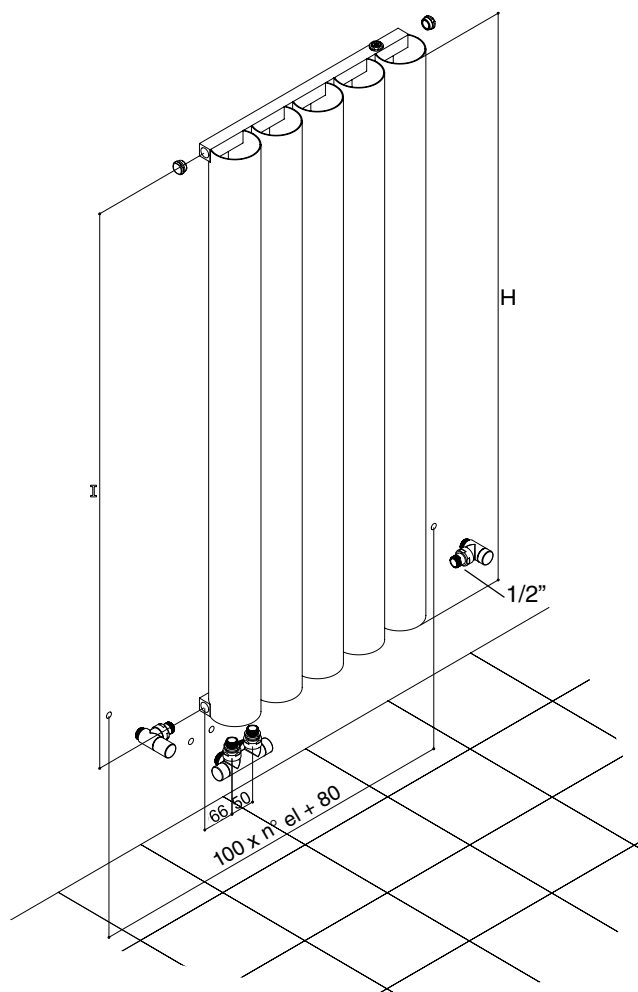
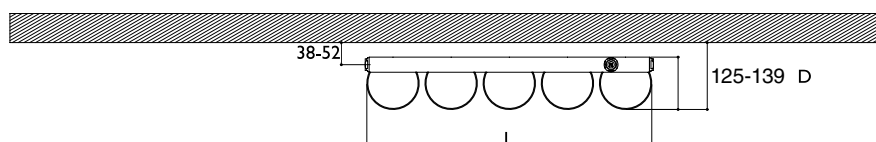




arigatò



	H (mm)	D (mm)	L (mm)	 (lt)	 (W)	i (mm)		Finiture / Finishings / Finitions / Acabado / Oberflächen
					$\Delta t 50^\circ$	$\Delta t 30^\circ$		
H 1800-3	1766	125-139	290	1,8	819	450	1740	
H 1800-4	1766	125-139	390	2,4	1092	600	1740	
H 1800-5	1766	125-139	490	3,0	1365	751	1740	
H 1800-6	1766	125-139	590	3,6	1638	901	1740	

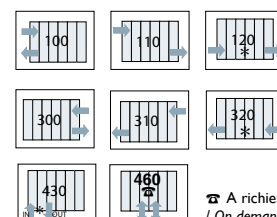


KIT VALVOLE VALVES KIT (pag. 144)

manual	termostatic
1	1T + 14
2	2T + 14
3	3T + 14
4	4
5	
6	
7	
8	
9	
10	10T + 14
11	
12	
13	13

● Valvole disponibili/
Suitable valves

CONNESSIONI CONNECTIONS / CONNEXIONS CONEXIONES / VERBINDUNGEN



☎ A richiesta
/ On demand

*Inserendo il diaframma fornito a kit
*By mounting the diaphragm