

---

427000851

---

Keep this manual so that it is always available for future use.

**ENG Drying Cabinet User Manual**

---

*Dear NIMO customer,*

*Congratulations on making an excellent choice, and welcome to the NIMO family, a global family with its roots in Sweden.*

*We at NIMO thank you for your trust and hope that you will enjoy using your new drying cabinet.*

*A good drying cabinet should be well designed, dry clothes well, have a low environmental impact, be user-friendly, save time and energy, have a long service life and be reliable. NIMO offers you all these features.*

*When you buy a NIMO product you can be sure that the inside is just as good as the outside and that the ethics and morality that go into building this product are just as high as the quality and function you are getting. That's what Swedish quality is all about.*

*Before using the product for the first time, please read the user instructions and the advice on caring for the product. This will help you get the best possible results from your product and all its functions.*

*If you have any questions, do not hesitate to call us or to contact us through our website.*

*Best wishes from Sweden and the NIMO team.*



Doc. No 427000851 Rev. 11

Right to make changes reserved.  
Printed on environmentally friendly paper meeting  
the requirements of Friends of the Earth Sweden  
and the Swedish Society for Nature Conservation.

<b>THIS USER MANUAL</b>	<b>4</b>	<b>DRYING PROGRAMME</b>	<b>19</b>
<b>SAFE OPERATION</b>	<b>5</b>	SELECTION OF DRYING PROGRAMME	19
<b>DESCRIPTION OF THE CABINET</b>	<b>6</b>	START THE DRYING PROGRAMME	20
<b>AIR FLOW IN THE CABINET</b>	<b>7</b>	STOP THE DRYING PROGRAMME	21
<b>CONDENSATION WATER</b>	<b>8</b>	THE DOOR IS OPENED	21
DETACHABLE WATER TANK	8	<b>SETTING OF DRYING PROGRAMME</b>	<b>22</b>
CONNECTION TO FLOOR DRAIN	9	INTRODUCTION	23
RECONNECTION TO WATER TANK	10	PROCEDURE	23
<b>INSTALLATION</b>	<b>11</b>	RESETTING TO FACTORY SETTING	24
UNPACKING	11	<b>CARE</b>	<b>25</b>
REVERSING THE DOOR SWING OPENING	12	CLEANING	25
PLACEMENT/ATTACHMENT	12	REPLACEMENT PARTS	25
ELECTRICAL CONNECTIONS	13	SERVICE	26
<b>CONTROL PANEL</b>	<b>14</b>	<b>TROUBLE SHOOTING</b>	<b>27</b>
BUTTONS	14	HOW TO DEAL WITH MINOR FAULTS YOURSELF	27
DISPLAY	14	<b>TECHNICAL DATA</b>	<b>29</b>
LANGUAGE SETTING	15	ENERGY CONSUMPTION AND DRYING TIME	30
<b>START-UP</b>	<b>16</b>	MANUFACTURING STANDARDS	30
<b>HOW TO PLACE THE WASHING</b>	<b>17</b>	ELECTRICAL DIAGRAM	30
USER TIPS	18		

**Manufacturer:** NIMO-VERKEN AB  
BOX124  
S-548 22 HOVA SWEDEN  
PH +46 (0) 506 488 00  
FAX +46 (0) 506 488 10  
nimo@nimoverken.com  
www.nimoverken.com

## ***THIS USER MANUAL***

---

The contents of this user manual describe the **drying cabinet's functions** and **how it should be used**. It also includes instructions for **installation** and **maintenance**.



**NOTE** *Keep the user manual so that it is always available for future use.*

This advice on safe operation has been compiled so that you can avoid incorrect use and unnecessary risks of accidents and should be read before the drying cabinet is installed and used.

**CAUTION:** This equipment is only intended to be used to dry textiles washed in water.

- ❑ The drying cabinet can be used by children over the age of 8 and persons (including children) with impaired physical, sensory or mental capacity or who lack experience or knowledge, provided they have received guidance or information on how to use the drying cabinet in a safe way and understand the risks that may occur.
- ❑ Do not allow children to play in, on or with the drying cabinet. Keep an eye on children when they are in the immediate vicinity of the cabinet.
- ❑ If the mains lead is damaged it must be immediately replaced, and this work must only be performed by the manufacturer, the manufacturer's service agent or similarly qualified persons in order to avoid danger.
- ❑ Cleaning and maintenance must not be performed by children without supervision.
- ❑ Avoid hanging textiles that are dripping or soaking wet as the cabinet is not intended to collect large volumes of water. This may lead to water escaping onto the floor.
- ❑ If you are hanging items with such a high moisture content that they are dripping or soaking wet, we recommend spinning them if possible, and if this is not possible wringing the items before placing them in the drying cabinet. We also recommend placing the cabinet on a collecting pan to prevent possible water damage to the floor.

## **DESCRIPTION OF THE CABINET**

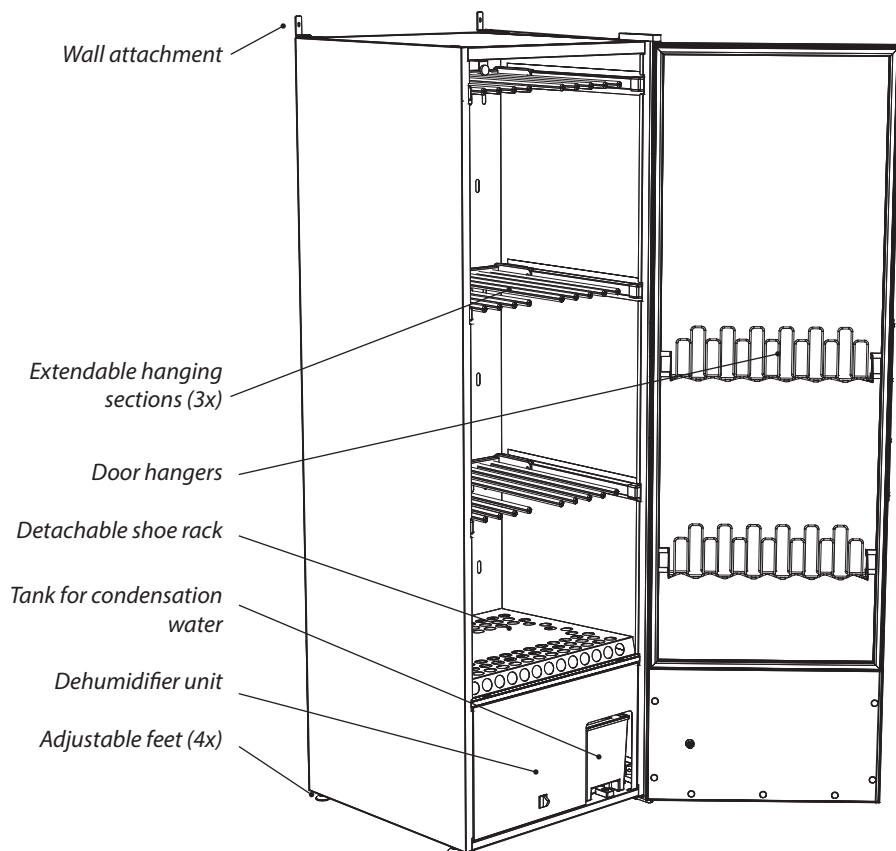
---

The drying cabinet works according to the principle of the heat pump, with a dehumidifier unit instead of a conventional hot-air unit. As a result, the washing is dried at lower heat and with substantially lower energy consumption.

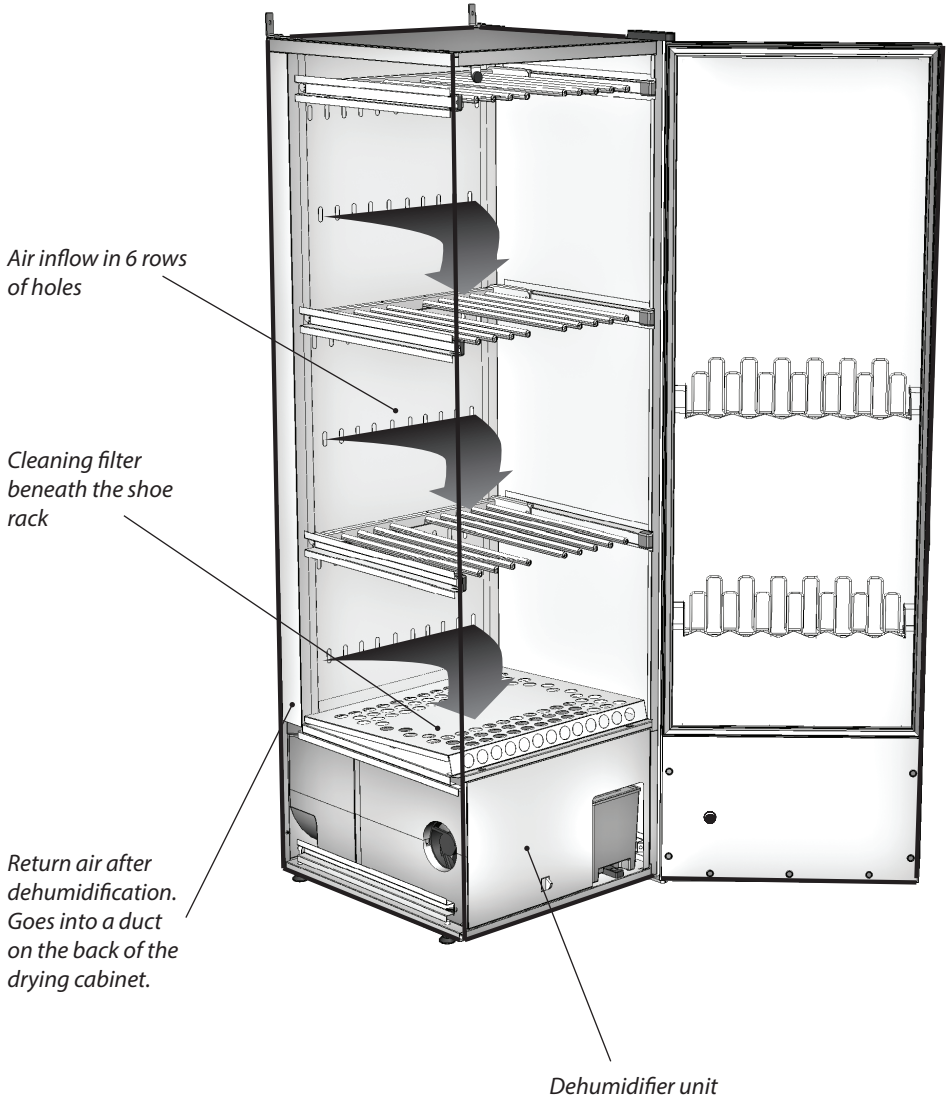
The cabinet is a fully enclosed system. No exhaust air connection is required.

The moisture condenses during the process, and the water that is formed is conveyed to a detachable water tank, or via a hose to the drain.

In addition, the fan is so powerful that it causes the garment to flutter, which makes the drying process even more efficient.



## AIR FLOW IN THE CABINET



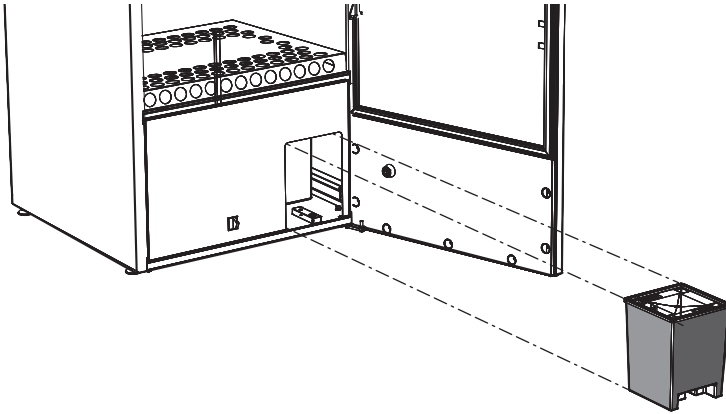
**NOTE** Make sure that shoes and similar items placed in the cabinet do not block the air flow.

## **CONDENSATION WATER**

---

Condensation water can be discharged in two ways, **either by being collected in a detachable water tank** or by **being conveyed through a hose to the floor drain**.

### **DETACHABLE WATER TANK**

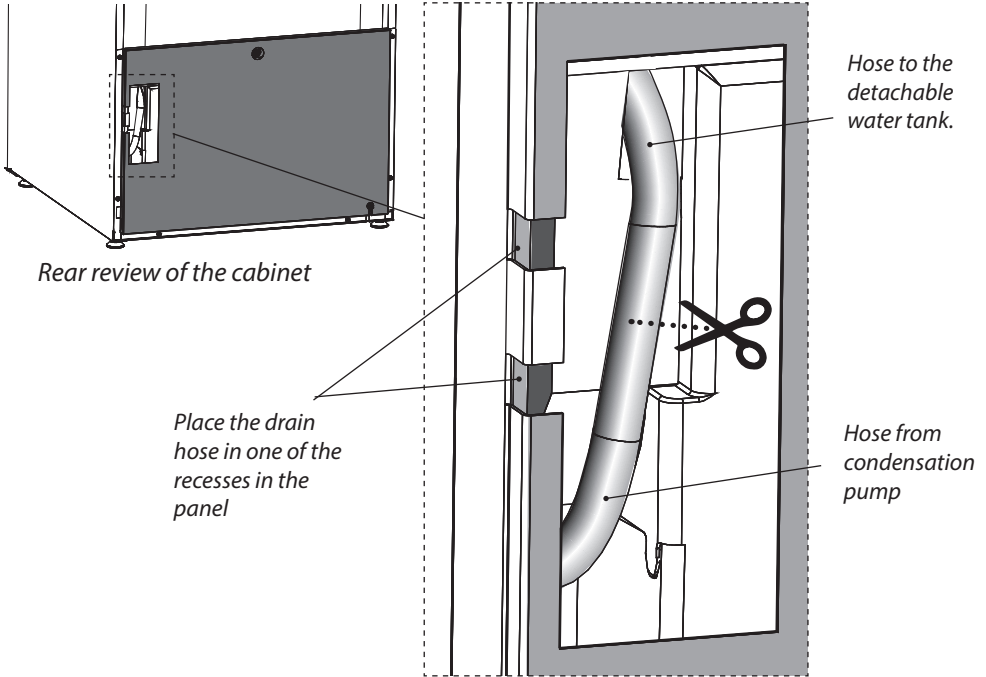


*The water tank is dimensioned to be easily adequate for a complete wash. A good rule is always to empty the water tank before each drying of a load of washing.*

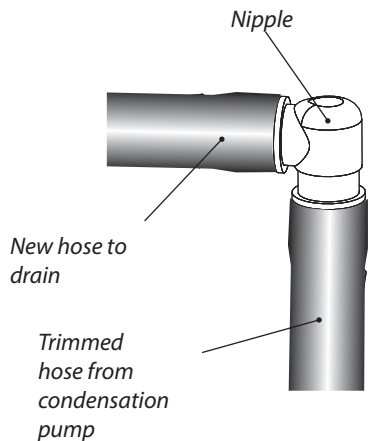


## CONNECTION TO FLOOR DRAIN

The drying cabinet is supplied from the factory with a hose to the detachable water tank. To change to discharging condensation to a floor drain, proceed as follows:



- 1 Carefully pull the upper part of the hose out around 2-3 cm.
- 2 Cut off the hose in the middle of the opening.
- 3 Assemble the new drain hose with the nipple provided in the assembly kit, as illustrated. Pull the hose on without hose clips. Place the drain hose in one of the recesses in the panel.



## **CONDENSATION WATER**

---

- 4 Place the drain hose in one of the recesses in the panel so there is no risk of it being crushed.
- 5 Run the drain hose to the drain.
- 6 If the drain is higher than the outlet of the cabinet, make sure that the hose runs in an arc down to the floor and forms a water trap. There is otherwise a risk of the condensation flowing back to the tray when the pump is not working. This can cause the cabinet to fill with water and the cabinet to stop working.

### **RECONNECTION TO WATER TANK**

If you wish to reconnect the condensation water to the water tank, all you need to do is connect the two hoses together again with the nipple.

**NOTE** *Do not under any circumstances bend the hose so that water flow is prevented. Place the drain hose in any of the recesses in the panel*

## UNPACKING



The drying cabinet must be handled carefully if it is only standing on its pallet.

**RISK OF TIPPING OVER.**

After unpacking, check that the product is free of faults. Damage, defects and any missing parts must be immediately reported to the dealer.

Check that the product has not been damaged in transit. Any damage in transit must be reported to the dealer within 7 days.









Check that all transportation securing devices have been removed before connecting the dryer.

Packaging materials such as plastic and Styrofoam should be kept out of the reach of children.

### Complete delivery must include:

- Cabinet with dehumidifier unit
- Assembly kit for attaching cabinet
- Installation- and User Manual

### Assembly kit:

	Qty		Qty
	2		1.5 m
	4		1
	2		1
	2		1

## INSTALLATION

### REVERSING THE DOOR SWING OPENING

The cabinet is supplied from the factory either right-hung or left-hung. The door can be subsequently re-hung.

Rehanging kit with instructions can be ordered as article number 67001521.

The rehanging kit is adapted for both left-hung and right-hung door.

**If this is required, contact the manufacturer or the manufacturer's service agent.**

### PLACEMENT/ATTACHMENT

*The drying cabinet is only designed for operation indoors in a dry environment.*

*The drying cabinet should not be installed in a location where high pressure water is used for cleaning.*

### LEVELLING

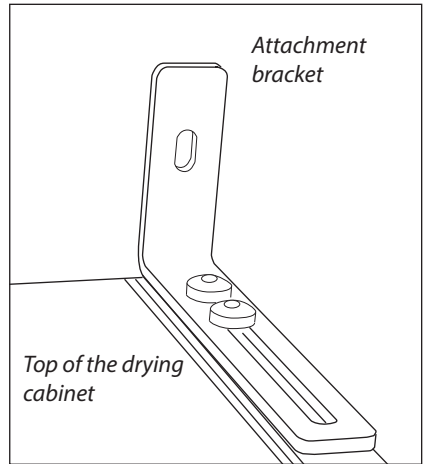
The drying cabinet should stand level on a **flat surface**, resting on all four feet. Correct the position of all four adjustable feet from the outside.

### ATTACHMENT TO WALL

The cabinet **must be attached to a wall** to prevent tipping over.

The assembly kit contains two angle brackets mounted on the top of the drying cabinet as illustrated. The brackets have slots for adaptation to the wall.

Secure the cabinet to the wall. Screws for fixing, washers and plastic plugs are provided in the assembly kit.



**WARNING** *The drying cabinet should not be used without being screwed to a wall due to the risk of tipping forwards.*

### **ELECTRICAL CONNECTIONS**

The drying cabinet should be connected to a 220 - 240V single-phase 50 Hz grounded socket.

The drying cabinet is supplied ready for connection with a cable with a grounded plug.

Fuse 10 A.

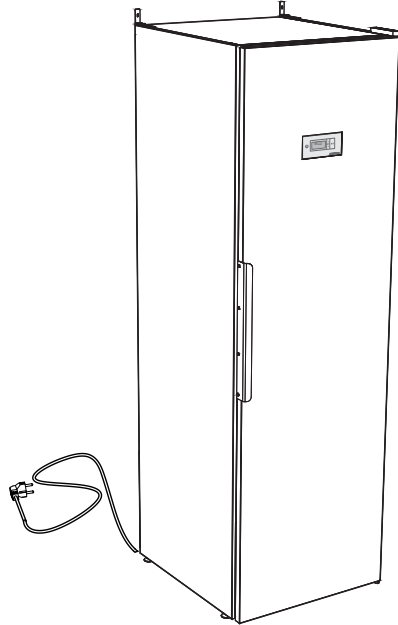
*The drying cabinet should be connected using the plug supplied to a grounded wall socket, and should not be permanently connected.*

*The socket should be located where the plug can be easily disconnected when required.*

*Appliance must be connected to a dedicated circuit.*

*Check that the supply current matches that stated on the identification plate and that the mains lead is grounded correctly according to standards in force. We recommend that the mains lead be fitted with a residual current device (RCD).*

*The manufacturer cannot be held liable if the electrical connections are not carried out as prescribed in this manual.*



## CONTROL PANEL

---



The drying cabinet is equipped with two automatic programmes for different types of garments. These programmes are set through programming menus using four buttons on the menu panel. Several languages can be handled.

### BUTTONS



**ON/OFF**



**START/STOP**, starts and stops the programme.  
**OK**, confirms selection and moves on to next menu level.



**ARROW UP**, increase the value or step in one direction through the programmes.



**ARROW DOWN**, reduce the value or step in one direction through the programmes.

### DISPLAY

The display has two rows with 6 symbols on each row. The display shows the current parameter and the value of this parameter during setting and adjustment of the drying process. Instruction text is shown during the drying process.

**LANGUAGE SETTING**

The following languages can be handled: english, swedish, norwegian, danish, finnish, russian, french and german.

**SETTING**

- 1 Make sure that the drying cabinet's main ON/OFF switch is off. The display is unlit.
- 2 Hold in the **ARROW UP** and **ARROW DOWN** buttons and press the the main **ON/OFF** switch to the "ON" position. The display lights up and "P105", the parameter for language setting, flashes on the top row. If any other value is shown, use the **ARROW UP** or **DOWN** buttons to step through to the correct parameter.
- 3 Press **START/STOP** to confirm.  
The row for the current language now flashes. The languages have a numbering system as shown in the list below.
- 4 Step through to the desired language using the **ARROW UP** and **DOWN** buttons.
- 5 To save the set value, press **START/STOP**.
- 6 To return to operating value, press **ARROW DOWN** and **START/STOP**.

Language symbol	Display language
0	english
1	swedish
2	norwegian
3	danish
4	finnish
5	
6	french
7	german

## START-UP

---



*Read this user manual before using the drying cabinet for the first time.*

**WARNING** *Read the safety instructions on page 5 before using the drying cabinet.*

After the cabinet has been installed and connected, you should wait at least three hours before using it for the first time. This is to allow the oil in the compressor to run back. The compressor may otherwise be damaged.

- 1** Check that the cabinet is firmly attached to the wall. See page 12.
- 2** Check that no packaging material has been left behind.
- 3** Use a mild detergent with hot water and wash the inside and outside of the drying cabinet. See also the 'Care' section later in the manual.



## HOW TO PLACE THE WASHING

The cabinet contains three sections with hangers. Each section has a number of bars on which to hang the washing.

- ❑ Hang the articles in the drying cabinet according to how much space they require, not according to their weight.
- ❑ Turn up the two bottom hanger sections if long garments are to be dried.
- ❑ Hang gloves, caps, scarves and similar items on the hanger strips on the inside of the door.
- ❑ Draw the hanger hooks in the upper hanger section forward so that the washing can be hung more easily. Push them back when not in use.
- ❑ Do not overload the drying cabinet. If you do, the washing will become creased and dry unevenly. Instead, leave a space between the garments if possible.
- ❑ Do not place shoes or similar items on the shoe rack in such a way that they obstruct the air flow.
- ❑ Avoid drying heavy items of clothing together with lighter items as they have very different drying times.
- ❑ Make sure not to hang knitted items. These will stretch unnecessarily as they are heavy when wet.
- ❑ Avoid hanging textiles that are dripping or soaking wet in the drying cabinet, as the drying cabinet is not intended to collect large volumes of water.

This also leads to abnormally long drying times.

**CAUTION** *Do not dry garments or similar items that have been treated with petrol or other volatile and flammable substances. This may lead to the formation of an explosive gas mixture.*

## HOW TO PLACE THE WASHING

---

### USER TIPS

- ❑ Always follow the washing instructions on garments if such instructions are provided.
- ❑ If fabric softener or antistatic product is used, the manufacturer's instructions concerning the utilisation of the product should be followed.
- ❑ Remove washing that is already dry. This will reduce the drying time for remaining washing.

**NOTE** *When the cabinet is cold, it can happen that the sealing strip in the door does not close completely. However, this is fully compensated when the cabinet warms up as the sealing strip expands.*

**NOTE** *If the sealing strip does not close completely, or if the door has a tendency to want to open, this may be due to the cleaning filter not having been installed correctly. Make sure that the cleaning filter and the filter holder are pressed down so that no air leakage occurs.*

The drying cabinet is equipped with two drying programmes:

- ❑ **Normal dry**
- ❑ **Extra dry**

The programmes switch the drying process off automatically when the items of clothing are dry.

### ***SELECTION OF DRYING PROGRAMME***

- ❑ **Normal dry** – Used for drying of garments of normal thickness
- ❑ **Extra dry** – Used for drying of thicker garments, deep drying

## **DRYING PROGRAMME**

---

### **START THE DRYING PROGRAMME**

#### **□ LAST USED DRYING PROGRAMME**

Press the **ON/OFF** switch to the "**ON**" position, indicated by the display lighting up and showing the most recently run programme.

If this is the programme you want, press **START/STOP**.

Or choose another drying programme by stepping **UP** or **DOWN** with the arrow keys. Then start the drying programme with the **START/STOP** button.

#### **□ DOOR OPEN**

If the door is open when the drying programme is started and the **START/STOP** button is activated, the display shows "**CLOSE DOOR**".

Close the door and the selected drying programme will start.

#### **□ IN OPERATION**

The **animated symbol** (bar) on the left-hand side of the display indicates that the drying process is in progress.

#### **□ CONDENSATION WATER TANK**

If the condensation water tank becomes full, the drying process is immediately discontinued and the display will show "**CHECK WATER TANK**". Empty the water tank and re-start the drying process.

#### **□ COOLING**

During the cooling period the display shows the text "**COOL**" and counts down the time 5 min, remaining time.

### □ PROGRAMME END

When the cooling period has ended, the drying process is finished, and the display shows the text **"END"** (flashing).

When the **START/STOP** button is pressed after the door is opened, the current programme is stopped and the display shows the most recently used programme.

**NOTE** *In waiting mode the display goes off after 15 min and lights up again when any of the buttons on the control panel is activated or the door is opened.*

**NOTE** *Empty the condensation tank after each drying process.*

### **STOP THE DRYING PROGRAMME**

To discontinue a drying process in progress, press **START/STOP**.

### **THE DOOR IS OPENED**

If the door is opened when the drying process is under way, the drying process will continue for a further 5 minutes. The display will show **"CLOSE DOOR"** and a programme pause period of 5 minutes will be counted down.

If the door is closed within this 5 minute period, the drying process continues.

If the door is left open, the drying process is discontinued after 5 minutes and has to be re-started manually.

If you wish to discontinue the drying process immediately, without a 5 minute period, press **START/STOP**.

## **SETTING OF DRYING PROGRAMME**

---

There are options for optimising the drying cabinet's two automatic programmes for best results.

The setting is adjusted on the control panel for the programme concerned.

This is only to be done if you find that:

- ▣ The washing is not dried sufficiently
- ▣ The washing is over-dried – long drying time.

### INTRODUCTION

The drying cabinet is equipped with two drying programmes, **Normal dry** and **Extra dry**. The programmes end automatically when the washing is dry.

To decide when the washing is dry, a measured value is compared with a factory-set parameter, parameter **P 2072** for programme **Normal dry** and parameter **P 2071** for programme **Extra dry**.

It is primarily these two parameters that are adjusted to optimise the drying process.

- If you find that washing is not dried sufficiently in:
  - drying programme **Normal dry**, the parameter value for **P 2072 is reduced**.
  - drying programme **Extra dry**, the parameter value for **P 2071 is increased**.
- If you find that washing is over- dried, long drying time in:
  - drying programme **Normal dry**, the parameter value for **P 2072 is increased**.
  - drying programme **Extra dry**, the parameter value for **P 2071 is reduced**.

Optimisation of the drying process must always take place in small steps, start by adjusting the parameter concerned by 1-2 units up or down, then check the result after the next drying process and if appropriate make a further adjustment.

### PROCEDURE

The drying cabinet's parameter list is accessed through the control panel. The parameter list is shown as follows:

- on the top row of the display the current value is shown, e.g. P 2071,
- on the bottom row the set value of the parameter is shown.

- 1 Make sure that the main **ON/OFF** switch of the drying cabinet is in the **OFF** position. The display is not lit.
- 2 Hold down the **ARROW UP** and **DOWN** buttons and press the main **ON/OFF** switch to the **"ON"** position.

The display lights up and shows the parameter **"P 105"** and the factory-set value for **P 105**.

The row with the parameter concerned flashes on the display.

## **SETTING OF DRYING PROGRAMME**

---

- 3** Step through to the parameter concerned by pressing on the **ARROW UP** or **DOWN** button repeatedly.  
If you go too far, all you need to do is continue stepping forward until the display shows the correct parameter.
- 4** When the display shows the correct parameter, e.g. "*P2072*," press **START/STOP** to confirm parameter selection.  
The row now flashes with the set value of the parameter.
- 5** Increase or reduce the parameter value using the **ARROW UP** or **DOWN** buttons.
- 6** To save the set value, press **START/STOP**.
- 7** To return to the operating value, press the **ARROW DOWN** and **START/STOP**.

## **RESETTING TO FACTORY SETTING**

- 1** Go to parameter display mode as described in 1-2 above.
- 2** Hold down the **ARROW UP** and **ARROW DOWN** buttons and press **START/STOP**.  
The factory buttons will be saved and the display will show the most recently run programme.



## CLEANING

**NOTE** *High-pressure cleaning should not be used!*

*Cleaning and maintenance should not be performed by children without supervision.*

The walls of the cabinet should be cleaned with a mild soap solution and a damp cloth.

The shoe rack must be removed for each drying process and the cleaning filter below the rack should be cleaned.

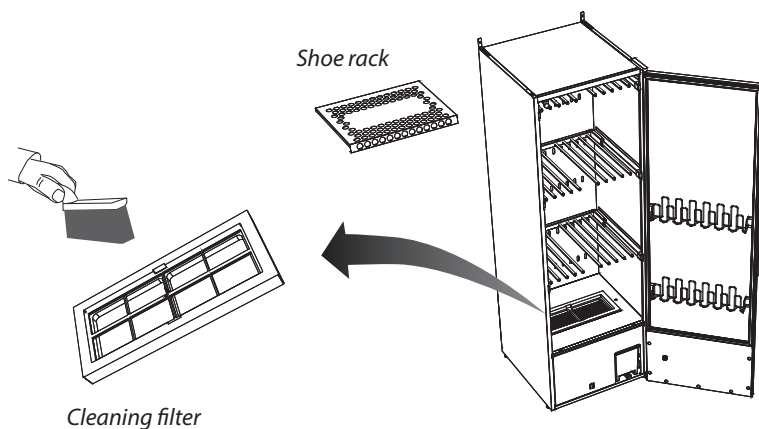
Brush the cleaning filter clean with the brush supplied.

## REPLACEMENT PARTS

Follow the **NIMO instructions** in repair and replacement of parts.

If the connecting cable for any reason is damaged, it must be replaced. A genuine part can be obtained from the cabinet dealer.

**NOTE** *A replacement lead may only be installed by the manufacturer, the manufacturer's service agent or another authorised electrician.*

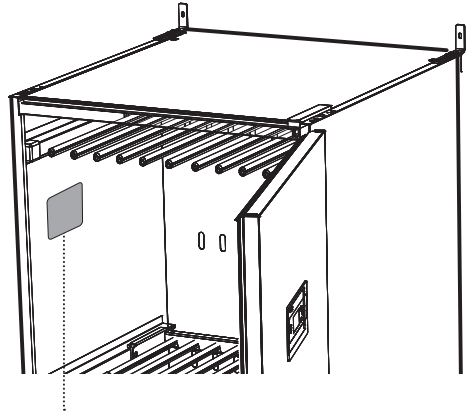


# CARE

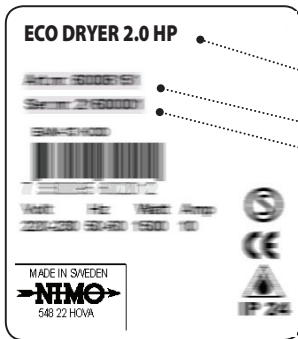
## SERVICE

**Before contacting Service**, you should find out the name, article number and serial number of the drying cabinet.

This information can be found on the data plate located inside the cabinet.



Data plate (inside)



Name of the drying cabinet

Article number

Serial number (12 digit)

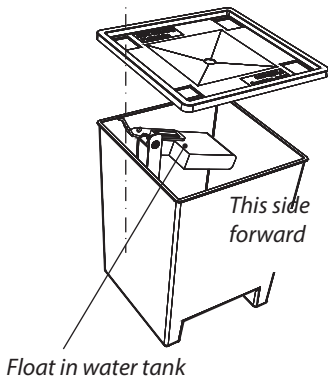
### HOW TO DEAL WITH MINOR FAULTS YOURSELF

Questions	What you can do
The drying cabinet does not work	<ol style="list-style-type: none"><li>1. Check that the mains lead is connected to a power socket</li><li>2. Check that no fuse has blown</li><li>3. Have you pressed the start button?</li><li>4. Is the door closed?</li><li>5. Is the water tank in position and empty?</li></ol>
The display shows <b>CHECK</b> <b>WATER TANK</b>  See picture , next page	<ol style="list-style-type: none"><li>1. Empty the water tank</li><li>2. Check that the lid is fitted so that the float arm protrudes out of the opening in the lid and the arm runs freely</li><li>3. Check that the water tank is turned so that the float arm is inside the box.</li><li>4. If none of the above works, the safety switch for a defective pump may have been activated. If so, a service technician must be called in.</li></ol>
The display shows an alarm/error code	This should normally never happen, but if an alarm or error code appears, try first to reset the alarm by holding down the Start/Stop button for 5 seconds. If the problem persists, call in a service technician.
Drying takes too long	<ol style="list-style-type: none"><li>1. Clean the cleaning filter (preferably to be done after each drying)</li><li>2. Check that the water tank is empty</li><li>3. Check that the correct programme has been selected for the type of washing</li><li>4. Check that the washing is not very wet (poorly spun)</li><li>5. Check that too much washing has not been hung up</li></ol>

## TROUBLE SHOOTING

### HOW TO DEAL WITH MINOR FAULTS YOURSELF (cont.)

Questions	What you can do
The washing does not become dry	<ol style="list-style-type: none"><li>1. Check that the correct programme has been selected for the type of washing</li><li>2. Check that too much washing has not been hung up</li><li>3. Adjust the parameters 2072 and 2071 according to the section on parameter adjustment</li></ol>
The sealing strip does not seal tightly/the door is ajar	<ol style="list-style-type: none"><li>1. Check that the cabinet is level. Check with a spirit level, adjust with the adjusting feet if necessary.</li><li>2. Check that the cleaning filter and its holder are correctly installed. The holder must be pressed down towards the heat pump unit below to seal properly.</li><li>3. Check that no debris, grit or similar material has ended up below the holder of the cleaning filter, as this will not seal satisfactorily</li></ol>



## TECHNICAL DATA

<b>Capacity:</b>	approx. 4,0 kg washing (cotton)
<b>Dewatering capacity:</b>	22 g/min.
<b>Electrical connections:</b>	single-phase 220 - 240 V, 50 Hz, 10A
<b>Output:</b>	900 W
<b>Capacity of main fan:</b>	945 m <sup>3</sup> /h (free blow)
<b>Capacity of secondary fan:</b>	160 m <sup>3</sup> /h (free blow)
<b>Hanging length:</b>	16 metres
<b>Dimensions:</b>	<i>Height:</i> 1930 mm <i>Width:</i> 595 mm <i>Depth:</i> 665 mm 690 mm, incl. doorhandle
<b>Weight:</b>	95 kg
<b>Sound level:</b>	A-weighted emission sound pressure level is less than 70 dB (A)
<b>Leaktightness test:</b>	28 bar

**This product contains fluorinated greenhouse gases.**

<b>Type of refrigerant:</b>	R407C
<b>Quantity of refrigerant:</b>	0,30 kg
<b>Total global warming potential factor:</b>	1774
<b>CO<sub>2</sub> equivalents:</b>	0,532t

**Hermetically sealed**

## TECHNICAL DATA

---

### ENERGY CONSUMPTION AND DRYING TIME

#### DRYING SPUN WASHING \*)

Program	Energy consumption kWh/kg washing	Drying time	Temp. maximum
Normal dry	0.3	90 min	55°C
Extra dry	0.4	120 min	55°C

\*) Given values may vary depending on:  
- spin speed  
- temperature and air humidity in the room  
- air circulation in the room (supply air, exhaust air)

### MANUFACTURING STANDARDS

See the identification plate

### ELECTRICAL DIAGRAM

The electrical circuit diagram can be ordered from the manufacturer.  
Address- see page 3.



