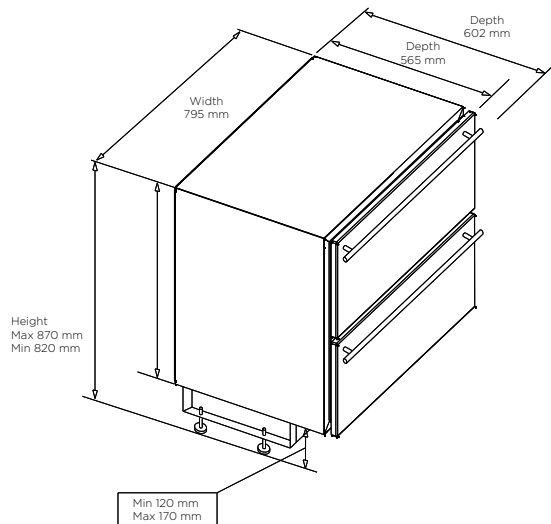


### Product benefits

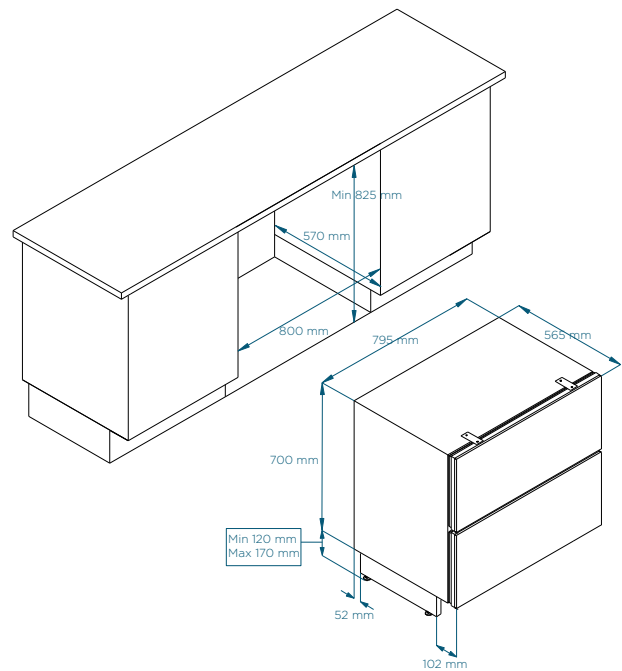
- The ideal solution for the modern home – suitable for integrating into most kitchens
- Freezer solution below the worktop – frees up space on the worktop and facilitates access to frozen goods
- Maintains the neat, low lines in the kitchen
- Ideal solution for families with small children and for wheelchair users
- 2 large drawers
- Completely maintenance-free with automatic defrosting



Drawer freezer with steel front or matte black front

### Models

- 1 Drawer freezer  
**Product Code: 60000008**
- 2 Matte black front for drawer freezer  
**Product Code: 8900013831**
- 3 Steel front for drawer freezer  
**Product Code: 8900013832**



Drawer freezer for fitting furniture front.  
Recommended measurements for the furniture fronts to be fitted:

Width: 795 mm Height: 341-348 mm

### Technical data

Dimensions		Temperature		Sound	
External measurements (mm)	<b>W795 x H820-870 x D565</b>	Temperature range	<b>-18/-24 °C</b>	Noise level	<b>38 dB</b>
Niche measurements (mm)	<b>B800 x H825 x D565 (min.)</b>	Ambient temperature	<b>16-32 °C</b>	<b>Drawers</b>	
Weight (kg)	<b>70</b>	<b>Energy</b>		Number of drawers	<b>2</b>
Net volume (litres)	<b>104</b>	Consumption (kWh/year)	<b>329</b>	Front panels	<b>Furniture front, steel front or matte black front</b>
For integrating	<b>Yes</b>	Energy class	<b>D</b>	<b>Ventilation</b>	
Power cord	<b>2,4 m</b>	Lighting	<b>Yes</b>	Requires ventilation	<b>Air grid included</b>
		Gas	<b>R600 A</b>		