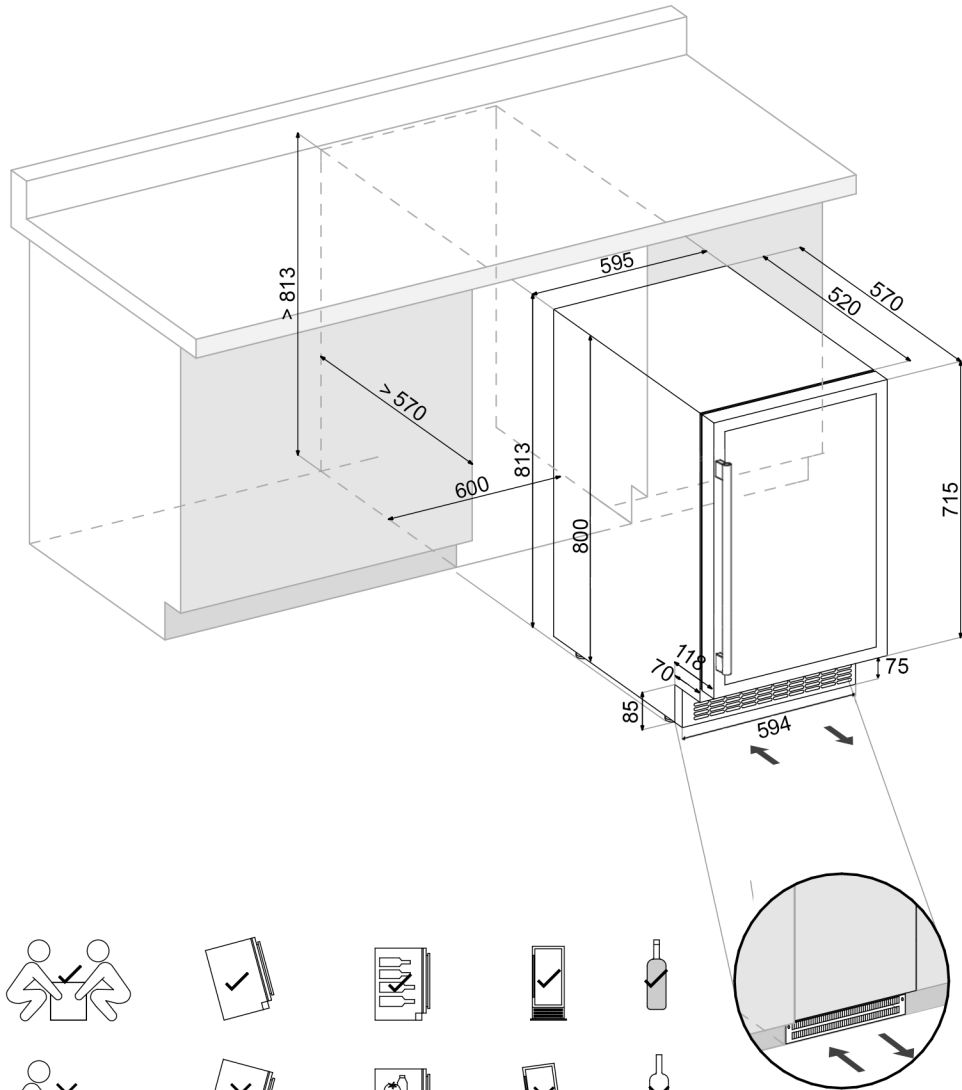
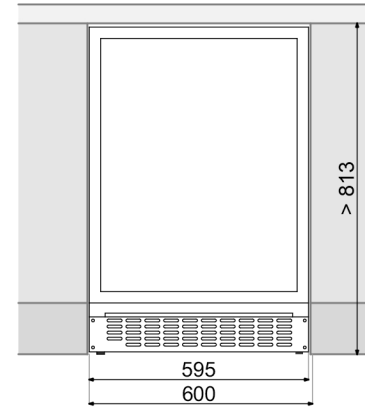


DUNAVOX FLOW-40

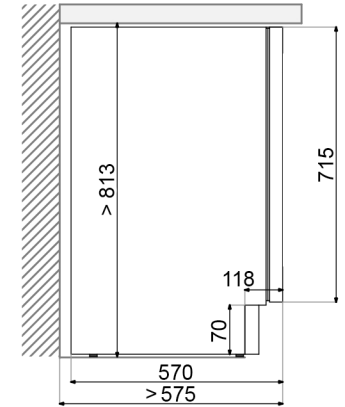
DAU-40.138B, SS



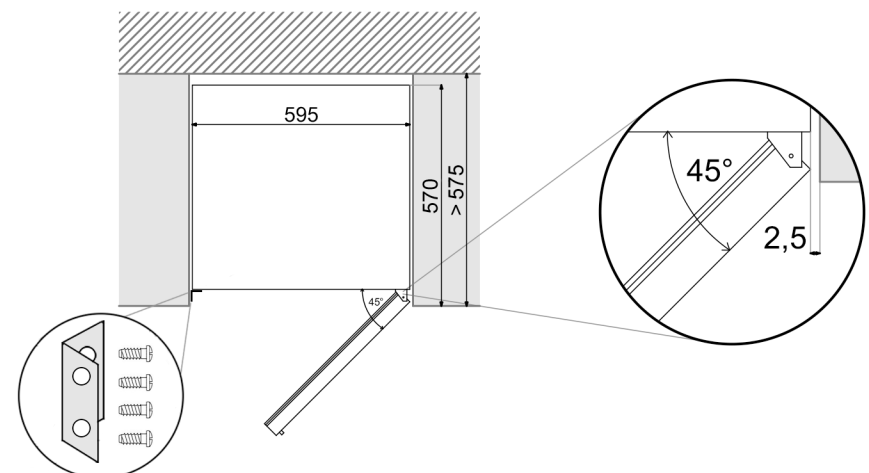
Front View



Side View



Top View



IMPORTANT WARNING
The product must be secured

